

Cambridge
International
AS & A Level

Cambridge Assessment International Education
Cambridge International Advanced Subsidiary and Advanced Level

CANDIDATE
NAME

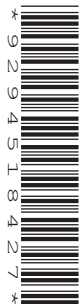
--

CENTRE
NUMBER

--	--	--	--	--

CANDIDATE
NUMBER

--	--	--	--



BUSINESS

9609/32

Paper 3 Case Study

February/March 2019

3 hours

Candidates answer on the Question Paper.

No Additional Materials are required.

READ THESE INSTRUCTIONS FIRST

Write your centre number, candidate number and name in the spaces at the top of this page. If you need additional answer paper ask the invigilator for a continuation booklet.

Write in dark blue or black pen.

You may use an HB pencil for any diagrams, graphs or rough working.

Do not use staples, paper clips, glue or correction fluid.

DO **NOT** WRITE IN ANY BARCODES.

Section A

Answer **all** questions.

Section B

Answer **one** question.

You are advised to spend no more than 40 minutes on Section B.

Refer to the Insert for the case study for this Paper.

At the end of the examination, fasten all your work securely together.

The number of marks is given in brackets [] at the end of each question or part question.

This document consists of **19** printed pages, **1** blank page and **1** Insert.



[Lined writing area consisting of 30 horizontal dotted lines]

2 (a) Refer to the network diagram in Fig. 1 and to Table 2 in the Insert.

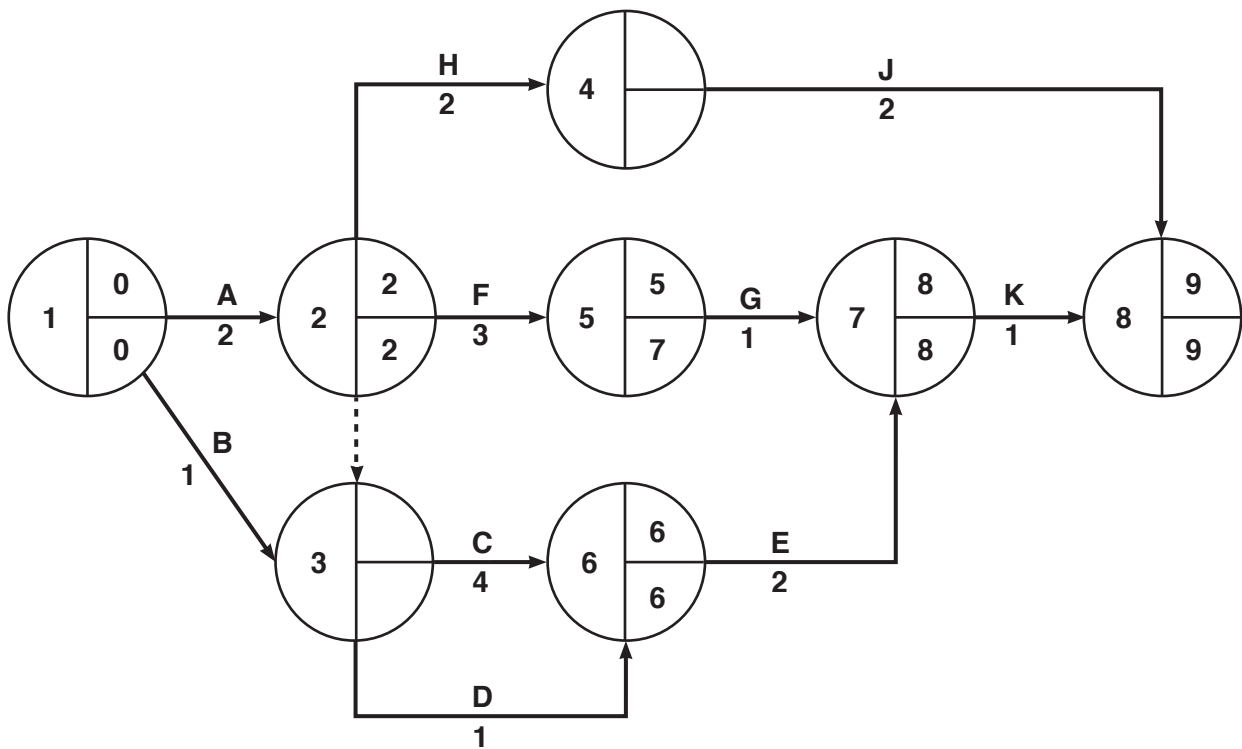


Fig. 1: Network diagram for opening new café

(i) Complete the network diagram at nodes 3 and 4. [4]

(ii) State the activities on the critical path.

.....
 [1]

(iii) State the minimum time to complete the opening of the new café.

.....
 [1]

(iv) Calculate the free float of Activity F.

.....

 [2]

A series of horizontal dotted lines for writing.

4 (a) Refer to Appendix 1. Calculate:

(i) seasonal variation in 2018 Quarter 1

.....
.....
..... [1]

(ii) average seasonal variation in Quarter 2.

.....
.....
.....
.....
.....
..... [2]

(b) Refer to Appendix 1 and Appendix 2. Calculate PY's forecast sales for Quarter 3 in 2019.

.....
.....
.....
.....
.....
.....
.....
.....
..... [3]

A series of horizontal dotted lines for writing, spanning the width of the page.

[12]

A series of horizontal dotted lines for writing, consisting of approximately 30 lines across the page.

A series of horizontal dotted lines for writing, spanning the width of the page.

Permission to reproduce items where third-party owned material protected by copyright is included has been sought and cleared where possible. Every reasonable effort has been made by the publisher (UCLES) to trace copyright holders, but if any items requiring clearance have unwittingly been included, the publisher will be pleased to make amends at the earliest possible opportunity.

To avoid the issue of disclosure of answer-related information to candidates, all copyright acknowledgements are reproduced online in the Cambridge Assessment International Education Copyright Acknowledgements Booklet. This is produced for each series of examinations and is freely available to download at www.cambridgeinternational.org after the live examination series.

Cambridge Assessment International Education is part of the Cambridge Assessment Group. Cambridge Assessment is the brand name of the University of Cambridge Local Examinations Syndicate (UCLES), which itself is a department of the University of Cambridge.